

POWER CRAFT 11P SERIES PCU 11P02 UNINTERRUPTIBLE POWER SUPPLY

Power Craft Uninterruptible Power Supplies (UPS) are absolute solution for protecting computer systems, server, network terminals, printers, scanners, office devices such as fax and telephone exchange, photo printing machines, printer safe, barcode reader and other electronic devices against defects arising from power failures. Power Craft Uninterruptible Power Supplies (UPS) are produced by using PWM, IGBT and double conversion technologies. The Power Craft Series are advanced true On-line Sine wave devices with static transfer switch which provide reliable, regulated, conditioned AC power to sensitive equipment.

INCREASED POWER QUALITY

The UPS has its own internal voltage and frequency regulator circuits which ensure that your loads are protected against to voltage and frequency degenerations of grid. As the inverter unit operates continuously, there is not any response time problem whilst instant voltage changes are very fast. Thanks to that structure, it ensure protection of system against to power cuts or generator failures. As it supplies regulated, fixed and continuous voltage & frequency, can be used with all electronic devices safely.

EFFECTIVE LINE ISOLATION

INCREASE NOISE REJECTION

Power Craft Uninterruptible Power Supplies (UPS), prevents your devices from bad effects of line noises. The rectifier unit at input of the device and galvanic isolation transformer at the output of the device protects loads from noises and failures of grid. Power Craft Uninterruptible Power Supplies (UPS) supply the load continuously via rectifier / charger and inverter combination which carries out a double conversion. The voltage differences of the grid never affect the output voltage. If line exists, the output frequency is synchronized to grid.

TRUE DOUBLE CONVERSION TECHNOLOGY

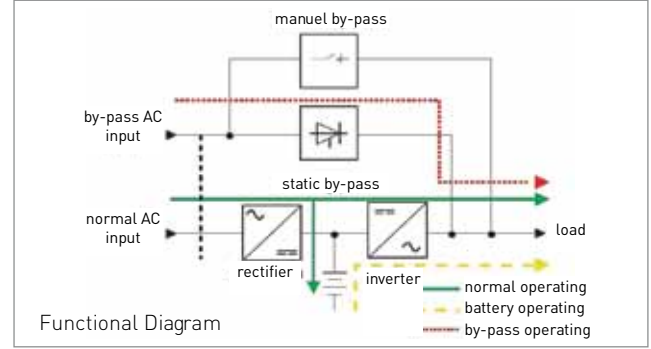
By rectifying input AC voltage to DC voltage and then converting it back to AC, any electrical noise that may present on the input mains supply line is effectively isolated from the UPS output, therefore your critical loads receive only clean power.

STRUCTURAL SPECIFICATIONS

- Single phase input - Single phase output, between power range of 2-15 kVA
- Three phase input - Single phase output, between power range of 10-40 kVA
- Three phase input - Three phase output, between power range of 10-200 kVA
- Galvanic isolation transformer at output
- Uninterruptible transfer to the mains by static by-pass in conditions of over load
- Fuse protection on input, output and battery
- Protection units (over-temperature, over-load, output short circuit, high/low output voltage, low battery, IGBT failure)
- On/off and manuel by-pass witch for working through grid, in cases where malfunction happens or when maintenance needs.
- User friendly, easy and comprehensive LCD display and mimic (2*16 for Single phase input - Single phase output and Three phase input - Single phase output devices; 4x16 for Three phase input - Three phase output devices)
- Full sine wave output signal
- High non-linear load capacity
- Real (Double conversion) On-Line system that feeds load with 220 V AC and 50 Hz. frequency, produced by its own inverter unit consistently
- Additional terminal at rear panel for additional battery connection
- Omni Wheel
- High productivity
- Advanced IGBT technology
- Micro-processor based control cards
- High productivity and silent operating with microprocessor for controlled real PWM technology
- Real static and modular structure with SMPS, PWM and IGBT technology
- High quality, maintenance free, dry type battery
- Safety usage for all electronic devices
- Ergonomic cabinet design
- Special, durable cabinet, powder coated with standard color named RAL-7035
- Through a software support and "Remote Management System", the ability of monitoring and controlling
- Production with ISO9001:2008 Quality Management System
- Spare part providing guarantee for 10 years
- Broad service network



We're Managing Voltage
You're Save Energy



TECHNICAL SPECIFICATIONS OF POWER CRAFT 11P SERIES SINGLE PHASE (INPUT-OUTPUT) UNINTERRUPTIBLE POWER SUPPLY

MODEL	PCU 11P02
POWER (kVA)	2
Power Factor	0,7
INPUT	
Voltage	220 V AC Single Phase + Neutral
Voltage Tolerance	+15%, -20%
By-Pass Voltage	220 V AC \pm 10%
Current	13A
Frequency	50Hz \pm 5%
OUTPUT	
Nominal Output Power	1400 W
Voltage	220 V AC Single Phase + Neutral
Voltage Tolerance	\pm 1%
Frequency	50 Hz \pm 5%
Frequency Tolerance	Line Synchronized +1%, Free Running +0.2%
Over Load	101%-125% 2,5 min., 126%-150% 10 sec., 151% load 0,2 sec., after then output shut-off
Efficiency (100% Load)	> 85%
Crest Factor	3:1
THD Total Harmonic Distortion	< 3%
LCD Display	With 2x16 character LCD Display: Input Voltage, Output Voltage, % Output Load, Output Frequency, UPS Condition and Failure Info, Over Load, Over Temperature, Input Failure warning ext.
Communication	Through a software support and "Remote Management System" (RS-232 Communication port, Ethernet), the ability of monitoring and controlling (optional)
BATTERY GROUP	
Battery Type	Maintenance free dry type
Battery Unit	8 x 12V
Floating Charge Voltage	108 V DC
End of Discharge Voltage	84 V DC
Charging Current	1,5 A
GENERAL	
Operating Temperature	-10 °C ~ +40 °C
Altitude	< 3000 m
Humidity	90% none condensed
Acoustic Noise	< 45 dB
Dimension (WxDxH) cm	24x60x55
Weight (kg)	50