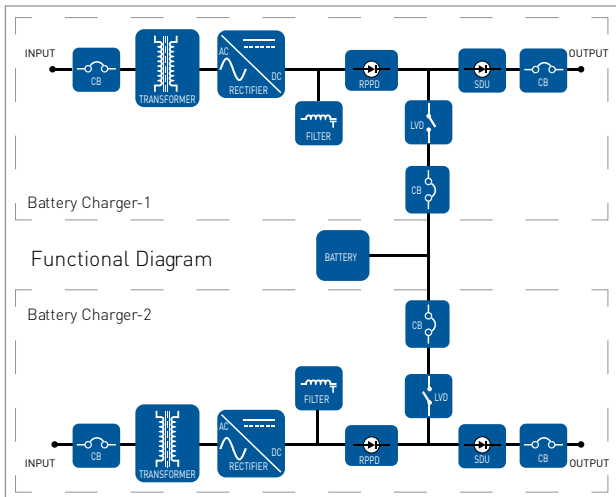


FLT - 1P SERIES 24V 50A BATTERY CHARGER UNIT



- Production with Single phase and three phase input
- Up to 500 kVA Power range
- Constant voltage and constant current function
- Automatic & Manuel Boost Charge / Float Charge Function
- Full wave rectifying system with Microprocessor controlled thristor units.
- Suitable for charge system for lead-acid & Ni-Cd Batteries
- Low voltage disconnect for Battery discharge protection (LVD)
- Silicon Dropper unit forvoltage regulation of DC supply (SDU)
- Designed for heavy duty industrial working conditions
- Reverse polarity protection(RPPD) Distribution CBUS
- Earth leakage protection
- Voltmeter, ammeter



We're Managing Voltage
You're Save Energy

PRODUCT SPECIFICATIONS

WHAT IS BATTERY CHARGER UNIT - RECTIFIER?

WHULHVDWWHUFDUJHUQLWYHWRPDWLFERQVWDQW
 EUHQWQDQGERQVWDQWYROWDJHHDWUHVLRVRODWLRQ
 WUDQVIRUPHVDQGWULVWRUFRQWUROOHGLQGVWULDOVSHUFEWLHU
 QLWV

ODQDJHGEPLFURSURFHVVRUERQWUROOHGHOFWURQLFELWV

OOSDUDPHWHUVDUHDGMVWDEOHIRURSWLPPEDUJLQJDOG
 UJHVVSHUIRUPDQFHLEQEDWWHUFDUJLQJQLWVWR

EDWWHUWVSHDQGWHEQLFDOSDUDPHWHUV

VVHPPDVSURWHFWLRQVWVHPPDJLQVWRYHUFEUHQW

RYHUYROWDJHRYHUWHPSHUDWUHVVRUWELUFLWVWQGS
 EUHQW

QODVWHULDODWWHVDUJHUVSHFWLHUVDQQLQGFWRU
 FDSDFLWRUOWHUHLVWVWVWHRWSWQSWDQGRWSW

WHUPLQDOVDUHLQFDELQHWVWQGSURWHFWHGHVWDEOHV

DWWHUGHHSGLVFDUJHSURWHFWLRQQLWYROWDJH
 UHJODWRUQLWIRUORDGVWQGGUERQWDFWVIRUDWRPDWLRQ

VVHPPVDUHRSWLRQDOIHDWUHV

H02858QLWLVDOVRDQRSWLRQDOIHDWUHZLW
 WH5LQWHUIDFHDOORZLQJUHPRWHPRLWRULQJDOG

PDQDJHHPHQWRIWHVWVHPP

WHAT ARE THE APPLICATION FIELDS?

HULDODWWHVDUJHUVDUHGHVLLJQHGDQG
 SURGEHGWREHMHGLQERPPQLFDWLRQDQGDODUPELUFLW
 RIVLSVDQGFVWMDIHVWVWHPVLQEVLLQHVVVSODEH
 DQGUHVLLGHQFHVSHWURFHPLEFDOQLQGVWUDQGSZRZHU
 HOHFWRUQLFVDSOLFVWLRQVWUDLQLQJDOGWHVWODERUI
 VFEROVVHVWGDWRUWLRULHVRIIDFWRULHVRIIHHGLQJMMWHI
 RIHOHFWRUQLFGHYLFHVHVDUHDVVRMHGIRU
 IHHGLQJMMVHPPDQGFEDUJHRIOHGDGDFLGLQFNHO
 FDGPLEDQGGUWVSHEDWWHULHVQLJGLVFDUJH
 EUHQWVWLWSURYLGHVRSRURWQLWVWRWUQRQDQGWUQRILC
 VRUWVSHULRGVWSURYLGHVDSURSULDWHVROWLRQVQLQ
 HPHUJHQFLOOPLQDWLQJDOUDUPERPPQLFDWLRQFLUFLWV
 JDOYDQLDWLRQDQGLQHPHUJHQFDOPQLQPHORDO
 IDFLOLWLHVSHWUREHPLVWULQGVWUDQGSZRZHUHOHFWRUQL
 SUDEFWLFHV

STRUCTURAL SPECIFICATIONS

3URGEWLRQZLWMLQJOHSDVHDQGWUHSDVHLQSWVSSO

3URGEWLRQEHWZHHQDQJHRIQDQG

WRPDWLERDWERRVWIDFLOLW

3URGEWLYLWVURJULVWRULRGHUDQVLVWV

microprocessor controlled boards

ripple 1 high current and voltage stability

ser friendly easy and comprehensible display and mimic

diagram

udial and lightened warning for all faults and dry contact outputs

E ternal battery connection

Very discharge protection with ow oltage isconnect unit

ilicon ropper unit for voltage regulation of supply

Minimal si e static structure easy commissioning

abinet design suitable for industrial environment

pecial durable cabinet powder coated with standard color named

R - 03 IP 1 IP Optional

Manuel ad usting property for output voltage and output current from

automatic battery activation in case of power cuts

Optional

Possibility of regulation of charge-voltage-current through battery

temperature feedbac Optional

Production with I O 001 00 Quality Management ystem



TECHNICAL SPECIFICATIONS OF FLT SINGLE PHASE BATTERY CHARGER UNIT

MODEL	FLT 1P 24V 50A
Power Factor	0,8 (optional 0,9)
INPUT	
Voltage	220 V AC Single Phase + Neutral (Other grid voltages optional)
Voltage Tolerance	± 15%
Frequency	50Hz ± 5% (60HZ optionally)
Protection	Suitable circuit breaker
OUTPUT	
Nominal Output Voltage	24 VDC
Output Voltage Adjustment	± 20%
Nominal Output Current	50 A
Current Limit Adjustment	5A-50A
Battery Charging System	Automatic constant current / constant voltage control with microprocessor based boards Programmable automatic and manuel BOOST charge - FLOAT Charge control
Battery Type	Nickel-Cadmium (Ni-Cd), Lead Acid, Dry Type
PROTECTION	
Silicon Dropper	Output voltage regulation and restriction for battery charger and power supply circuits applications with "Silicon Dropper"
LVD Unit	Automatic low voltage disconnect units to protect the batteries from deep discharge, (optional)
RPDD Unit	Reverse polarity protection
Automation Unit	Dry contacts for all kind of warnings (optional)
Efficiency	0,9
Crest Factor	3:1
Over Load	0% - 100% load operates continuously, 115% load electronic current limiting
Protection	electronic warning and protection for; high output voltage, low output voltage over temperature and over load, thyristor failure, earth leakage,...etc.
Communication	Dry contact output for all fault and status information
LCD Display	Input voltage, output voltage, output current, battery current, boost charge time and set values for LVD can be seen on LCD display. Additionally; written warnings for over current, over temperature, input failure and general failure (failure record optionally)
Connection	Suitable terminals for input, output, battery and ale art contact
ENVIRONMENTAL CONDITIONS	
Operating Temperature	-10 °C ~ +40 °C (optional cooling units on request)
Altitude	< 3000 m
Humidity	90% none condensed
Acoustic Noise	< 50 dB
CABINET SPECIFICATIONS	
Dimensions (WxDxH) cm	60x60x130
Weight (kg)	180

OPTIONS

OPTION	CODE	DESCRIPTION
Non-standard input voltage value	xxxV	FLT series battery chargers can be produced at any required input voltage value that must be stated clearly by the order confirmation.
Non-standard input voltage range	XS,M,L,XL	FLT series battery chargers can be produced at different input voltage ranges. The required ranges levels must be stated clearly by the order confirmation. Maximum input voltage range: -60%, +40%
Non-standard output voltage value	xxxV	FLT series battery chargers can be produced at any required output voltage value that must be stated clearly by the order confirmation.
Non-standard output voltage tolerance	R	Output voltage tolerances of battery chargers can be +/-1%, +/-2%, -3%, +/-5%.
Adjustable output voltage	ADJ	Output voltage of FLT series battery chargers can be adjusted by the LCD panel. Maximum adjusting range is +/-15%
Non-standard frequency	FRQ	FLT series battery chargers are produced to function under 60 Hz network frequency.
Output protection CB	OCB	Optional CB may be added to the battery charger output to provide additional protection.
Special Enclosure	K	FLT series battery chargers can be produced both INDOOR and OUTDOOR in special cabinets having different IPXX protection classes.
Input/Output EMC Filter	EMC	Specially designed EMC-Filters can be added optionally to the both input and output of FLT series battery chargers. Filter specifications must be stated by offer/order.
Input/Output Surge protector	ESD	High-Voltage Protection and Surge Arrester can be added to the both input and output of FLT series battery chargers. The required protection classes and the specifications (CLASS-I,CLASS-II,CLASS-III) must be given with the order.
Dry contacts	C	NO-NC dry contactor sockets can be applied for ON-OFF and Automatic By-pass modes of the battery charges.
Non-standard Input/Output terminal	T	According to the various customer needs. Input and output terminals can be designed and located specially on the cabinet. The required terminal drawings must be supplied together with the offer/order.
Special design and accessories	SPM	FLT series battery chargers can be designed specially with respect to direct customer needs and technical specifications. All special requirements and detailed technical drawings and specifications for accessories must be provided by the customer at the offer/order stage.
LDV Unit	LVD	Low voltage disconnect for Battery discharge protection.
SDU Unit	SDU	Silicon dropper unit for voltage regulation of DC supply.
Input VM/AM	VM/AM	Analog / digital voltmeter or ammeter for input.
Output VM/AM	VM/AM	Analog / digital voltmeter or ammeter for output.
Battery VM/AM	VM/AM	Analog / digital voltmeter or ammeter for the batteries.
Output Distribution CB	CB	Desired number of distribution CB for output can be applied.
Battery Rack	BR	Battery racks can be installed if required in the order.

NOTES & OPTIONS

- Any optional demands are not included in the prices. Please give in detail the options that you demand.
- All of the optional demands for every model may not be met, please keep in touch with your sales representative for suitable options.
- The technical specifications given in this brochure are to be used as a guide . Edit Elektronik has the right to change without giving prior information. Please contact your sales representative to get the recent information.
- The technical specifications in this brochure are for FLT series battery chargers. Please ask for different models and different technical specifications to your sales representative.
- FLT series battery chargers given in this brochure are easy for installation also in case of need our engineers are ready for help-desk freely.